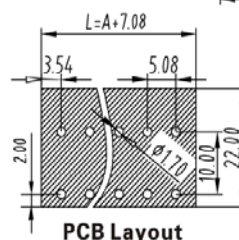
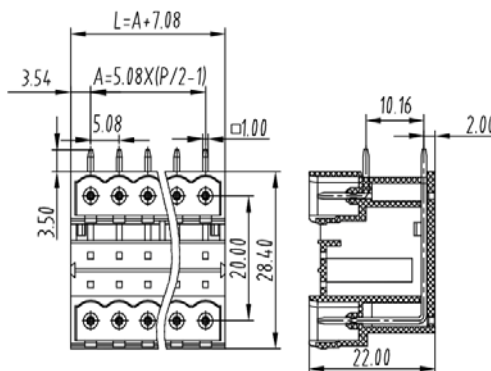


PCB Connector — TLP series ( Pin header )— TLPHDC-300R



**■ 图示(Pic. shown) : TLPHDC-300R-06P-G12**

General. PCB Connector Rated : 320V,17.5A  
Single row, 5.08mm pitch, 04-48 Pole  
Orientation:180°(plug-in to board)

认证 ( Approval ) :

技术参数 Technical Data	UL standard			IEC standard		
UL应用组别(UL Application group)	UL Application group			IEC过电压别/污染等级(IEC overvoltage category /pollution degree)		
IEC过电压别/污染等级(IEC overvoltage category /pollution degree)	B	C	D	III / 3	III / 2	II / 2
额定电压(Rated voltage)	300V	--	300V	--	320V	--
额定电流(Rated current)	16A	--	10A	--	17.5A	--
额定连接容量(Rated connection capacity)	--			--		
绝缘材料(Insulation Material)				PA66 UL94 V-0		
电流承载部件材料和镀层( Material & Plating of Current carrier )				Copper alloy , Tin plated		
接线弹片材料(Material of Clamp spring )				--		
绝缘电阻(Insulation Resistance)				500MΩ or more at DC500V		
耐电压(1分钟)(Withstanding Voltage/1Min)				2200V		
额定冲击电压(Rated surge voltage)				--		
接线螺丝(Wire clamp unit Screw), 最大扭矩( torque Max. )				--		
固定螺丝(Mounting Screw), 扭矩(torque)				--		
剥线长度(Wire stripping length)				--		
使用温度(Operating temperature)				-40°C up to +105°C		
焊接方式(Soldering recommend)	Wave soldering ,260°C 5S Max (Single Wave) , 260°C 10S Max(Double Wave)					

**■ 订购方式(How to order)**



Web:www.china-tianli.com TEL:+86-574-6347-9600,6389-6436 Mail : sale@china-tianli.cn  
地址:中国浙江省宁波杭州湾新区庵东工业园区纬三路138号  
ADD : 138 , Weisan Rd.,Andong Development Zone, Hangzhou Bay Area, Ningbo, Zhejiang, China

■ 编码片 Coding key



P/N:  
TLPCK-003-S

■ 插头 ( Female Connector ) — single row



P/N : TLPS-300V  
Wiring orientation :  
180°(wire to plug-in )  
Rated : 320V,20A , 2.5mm<sup>2</sup>  
Screw clamp unit: M3.0 , 0.5Nm



P/N : TLPS-300R  
Wiring orientation :  
90°(wire to plug-in )  
Rated : 320V,20A , 2.5mm<sup>2</sup>  
Screw clamp unit: M2.5 , 0.4Nm



P/N : TLPS-300RL  
Wiring orientation :  
270°(wire to plug-in )  
Rated : 320V,20A , 2.5mm<sup>2</sup>  
Screw clamp unit: M2.5 , 0.4Nm



P/N : TLPS-302V  
Wiring orientation :  
180°(wire to plug-in )  
Rated : 320V,12A , 2.5mm<sup>2</sup>  
Spring clamp unit.



P/N : TLPS-301  
Wiring orientation :  
180°(wire to plug-in )  
Rated : 320V,20A , 2.5mm<sup>2</sup>  
Screw clamp unit: M2.5 , 0.5Nm