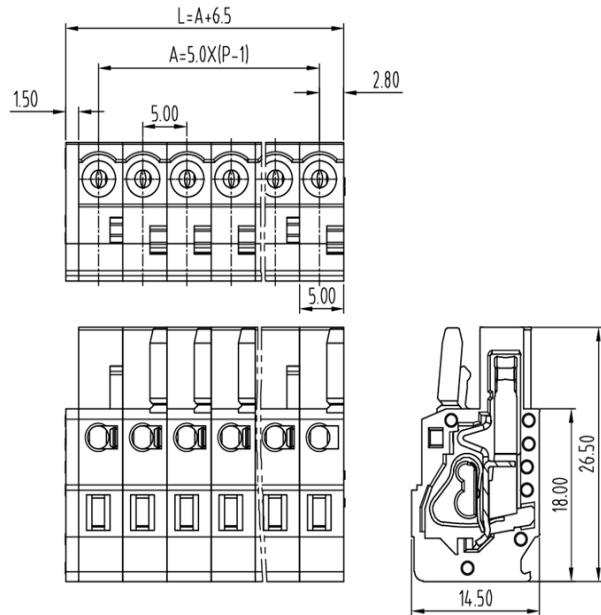


Multi Connection System — TLC series (Female Connector)— TLCP-200



■ 图示(Pic. shown) : TLCP-200-05P-M19

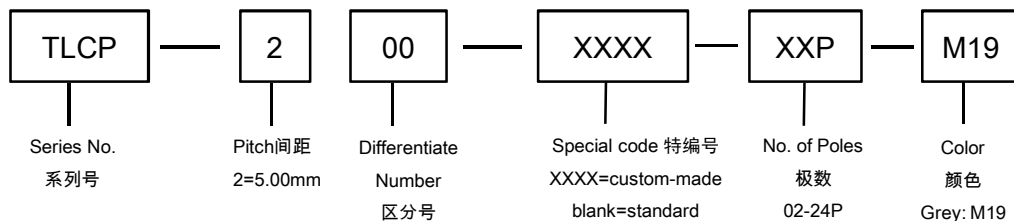
General: Multi Connection System Rated : 320V,20A , 2.5mm²
Single row , 5.0mm pitch , 02-24 Pole
Wiring orientation: 180°(wire to plug-in)
Spring clamp unit.

认证 (Approval) :



技术参数 Technical Data	UL standard			IEC standard		
	UL Application group			IEC过电压别/污染等级(IEC overvoltage category /pollution degree)		
UL应用组别(UL Application group)	B	C	D	III / 3	III / 2	II / 2
IEC过电压别/污染等级(IEC overvoltage category /pollution degree)						
额定电压(Rated voltage)	300V	--	300V	--	320V	--
额定电流(Rated current)	16A	--	10A	--	20A	--
额定连接容量(Rated connection capacity)	28-12AWG Sol&Str			0.2~2.5mm ² Sol&Str		
绝缘材料(Insulation Material)	PA66 UL94 V-0					
电流承载部件材料和镀层(Material & Plating of Current carrier)	Copper alloy , Tin plated					
接线弹片材料(Material of Clamp spring)	Stainless steel (GrNi)					
绝缘电阻(Insulation Resistance)	500MΩ or more at DC500V					
耐电压(1分钟)(Withstanding Voltage/1Min)	2200V/1Min					
额定冲击电压(Rated surge voltage)	4.0KV					
接线螺丝(Wire clamp unit Screw) , 最大扭矩(torque Max.)	--					
固定螺丝(Mounting Screw) , 扭矩(torque)	--					
剥线长度(Wire stripping length)	9.0mm					
使用温度(Operating temperature)	-40°C up to +115°C					
焊接方式(Soldering recommend)	--					

■ 订购方式(How to order)



接线操作杆 Operating lever



P/N:
TLC-A01

针座 (Pin header)



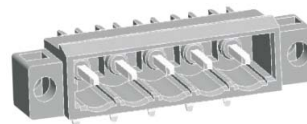
P/N : TLCH-200V
Orientation :
90° (plug-in to board)
Rated:320V,20A



P/N : TLCHM-200V
Orientation :
90° (plug-in to board)
Rated:320V,20A
With mounting flanges



P/N : TLCH-200R
Orientation :
180° (plug-in to board)
Rated:320V,20A



P/N : TLCHM-200R
Orientation :
180° (plug-in to board)
Rated:320V,20A
With mounting flanges