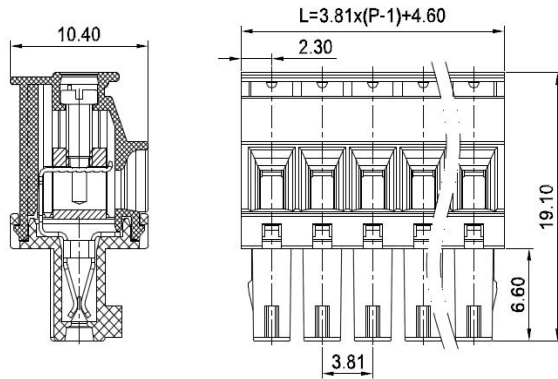



PCB Connector — TLP series ( Female Connector )— TLPS-100R



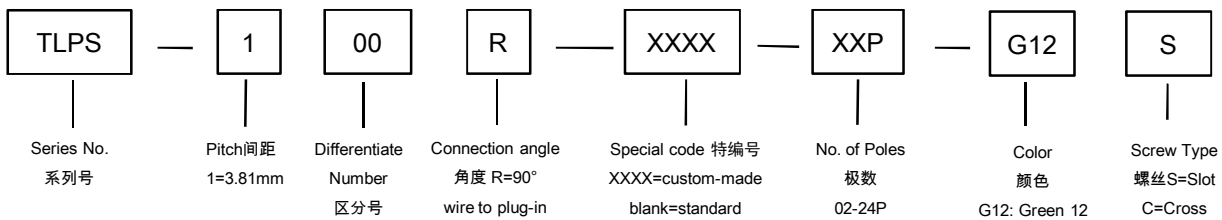
■ 图示(Pic. shown) : TLPS-100R-06P-G12S

General.	PCB Connector Rated : 320V,10A,1.5mm <sup>2</sup>
	Single row , 3.81mm pitch , 02-24 Pole
	Wiring orientation: 90°(wire to plug-in )
	Screw clamp unit: M2, 0.2-0.25N·m

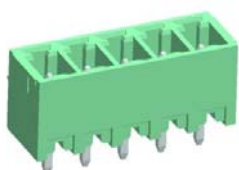
认证 ( Approval ) : 

技术参数Technical Data	UL standard			IEC standard		
	UL Application group			IEC过电压别/污染等级(IEC overvoltage category /pollution degree)		
UL应用组别(UL Application group)	B	C	D	III / 3	III / 2	II / 2
IEC过电压别/污染等级(IEC overvoltage category /pollution degree)				160V	160V	320V
额定电压(Rated voltage)	300V	--	300V	10A	10A	10A
额定电流(Rated current)	8A	--	8A	0.2 ~ 1.5 mm <sup>2</sup>		
额定连接容量(Rated connection capacity)	30 ~ 14 AWG			PA66 UL94V-0		
绝缘材料(Insulation Material)				Copper alloy , Tin plated		
电流承载部件材料和镀层( Material & Plating of Current carrier )				--		
接线弹片材料(Material of Clamp spring )				500MΩ or more at DC500V		
绝缘电阻(Insulation Resistance)				2000V		
耐电压(1分钟)(Withstanding Voltage/1Min)				2500V		
额定冲击电压(Rated surge voltage)				M2, 0.2 ~ 0.25N·m		
接线螺丝(Wire clamp unit Screw) , 最大扭矩( torque Max. )				--		
固定螺丝(Mounting Screw) , 扭矩(torque)				6.5 ~ 7.5mm		
剥线长度(Wire stripping length)				-40°C up to +105°C		
使用温度(Operating temperature)				--		
焊接方式(Soldering recommend)						

■ 订购方式(How to order)



■ 针座 ( Pin header ) — single row



P/N : TLPHC-100V  
Orientation :  
90° ( plug-in to board )  
Rated:160V,10A  
Closed side



P/N : TLPHC-100R  
Orientation :  
180° ( plug-in to board )  
Rated : 160V,10A  
Closed side

■ 针座 ( Pin header ) — single row



P/N : TLPHC-100V-XXP-HT  
Orientation :  
90° ( plug-in to board )  
Rated:320V,10A  
Closed side



P/N : TLPHC-100R-XXP-HT  
Orientation :  
180° ( plug-in to board )  
Rated : 320V,10A  
Closed side

■ 针座 ( Pin header ) — single row



P/N : TLPHC-104  
Orientation :  
45° ( plug-in to board )  
Rated : 320V,10A  
Closed side



P/N : TLPHS-112  
Wiring orientation :  
180°(wire to plug-in )  
Rated : 320V,10A , 1.5mm<sup>2</sup>  
Screw clamp unit: M2 , 0.2N·m

■ 针座 ( Pin header ) — dual row staggered

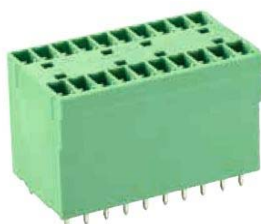


P/N : TLPHDC-105V  
Orientation :  
90° ( plug-in to board )  
Rated : 320V,10A  
Closed side



P/N : TLPHDC-105R  
Orientation :  
180° ( plug-in to board )  
Rated : 320V,10A  
Closed side

■ 针座 ( Pin header ) — dual row in 1 plane



P/N : TLPHDC-108V  
Orientation :  
90° ( plug-in to board )  
Rated : 320V,10A  
Closed side



P/N : TLPHDC-108R  
Orientation :  
180° ( plug-in to board )  
Rated : 320V,10A  
Closed side