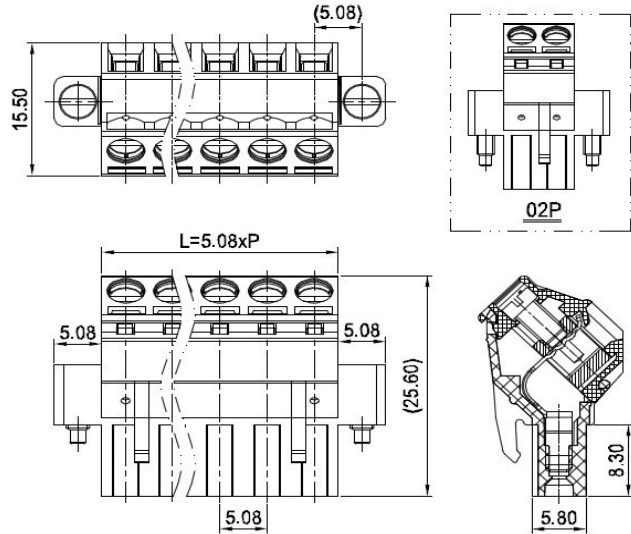


PCB Connector — TLP series (Female Connector)— TLPSW-308



■ 图示(Pic. shown) : TLPSW-308-10P-G12S

General:

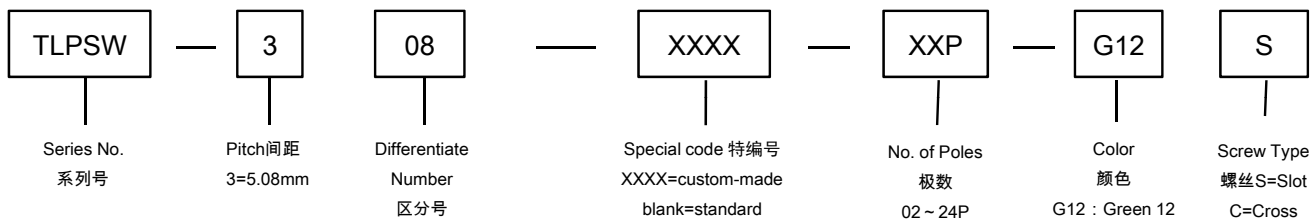
PCB Connector Rated : 630V,18A , 4mm²
Single row , 5.08mm pitch , 02 ~ 24 Pole
Wiring orientation: 45°(wire to plug-in)
Screw clamp unit: M3, 0.5 ~ 0.6N·m

认证 (Approval) :



■ 技术参数 Technical Data	UL standard			IEC standard		
	UL应用组别(UL Application group)	UL Application group			IEC过电压别/污染等级(IEC overvoltage category /pollution degree)	
IEC过电压别/污染等级(IEC overvoltage category /pollution degree)	B	C	D	III / 3	III / 2	II / 2
额定电压(Rated voltage)	300V	--	300V	250V	320V	630V
额定电流(Rated current)	16A	--	10A	18A	18A	18A
额定连接容量(Rated connection capacity)	30 ~ 12AWG Sol&Str			0.2 ~ 4mm ² Sol&Str		
绝缘材料(Insulation Material)				PA66 UL94 V-0		
电流承载部件材料和镀层(Material & Plating of Current carrier)				Copper alloy , Tin plated		
接线弹片材料(Material of Clamp spring)				--		
绝缘电阻(Insulation Resistance)				500MΩ or more at DC500V		
耐电压(1分钟)(Withstanding Voltage/1Min)				AC2200V		
额定冲击电压(Rated surge voltage)				4000V		
接线螺丝(Wire clamp unit Screw) , 最大扭矩(torque Max.)				M3, 0.5 ~ 0.6N·m		
固定螺丝(Mounting Screw) , 扭矩(torque)				--		
剥线长度(Wire stripping length)				9.5 ~ 10.5mm		
使用温度(Operating temperature)				-40°C up to +115°C		
焊接方式(Soldering recommend)				--		

■ 订购方式(How to order)



Web:www.tielee.com

TEL:+86-574-6347-9600,6389-6436

Mail : sale@china-tianli.cn

地址:中国浙江省宁波杭州湾新区庵东工业园区纬三路138号

ADD : 138 , Weisan Rd.,Andong Development Zone, Hangzhou Bay Area, Ningbo, Zhejiang, China

■ 编码片 Coding key



P/N:
TLPCK-002-S

■ 针座 (Pin header) — single row



P/N : TLPHW-300V
Orientation :
90° (plug-in to board)
Rated:630V,20A
With threaded flange



P/N : TLPHW-300R
Orientation :
180° (plug-in to board)
Rated:630V,20A
With threaded flange

■ 针座 (Pin header) — single row



P/N : TLPHW-300V-XXP-HT
Orientation :
90° (plug-in to board)
Rated:630V,20A
With threaded flange



P/N : TLPHW-300R-XXP-HT
Orientation :
180° (plug-in to board)
Rated:630V,20A
With threaded flange

■ 针座 (Pin header) — single row



P/N : TLPHW-300R-1603
Orientation :
180° (plug-in to board)
Rated:630V,20A
With threaded flange



P/N : TLPHW-300A
Orientation :
45° (plug-in to board)
Rated : 630V,20A
With threaded flange

■ 针座 (Pin header) — single row



P/N : TLPHW-300R-0544
Orientation :
180° (plug-in to board)
Rated:630V,20A
With threaded flange

■ 针座 (Pin header) — dual row in 1 plane



P/N : TLPHDW-300V
Orientation :
90° (plug-in to board)
Rated:320V,20A
With threaded flange



P/N : TLPHDW-300R
Orientation :
180° (plug-in to board)
Rated : 320V,20A
With threaded flange

■ 针座 (Pin header) — dual row staggered



P/N : TLPHDW-303V
Orientation :
90° (plug-in to board)
Rated : 320V,20A
With threaded flange



P/N : TLPHDW-303R
Orientation :
180° (plug-in to board)
Rated : 320V,20A
With threaded flange

■ 插头 (Male Connector) — single row



P/N : TLPHSW-304
Orientation :
180° (plug-in to wire)
Rated:630V,20A
With threaded flange

■ 针座 (Pin header) — single row



P/N : TLPHW-306
Orientation :
180° (plug-in to board)
Rated:630V,18A
With threaded flange