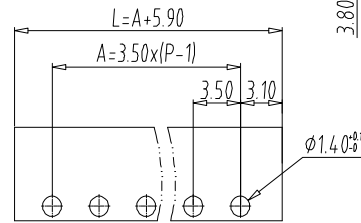
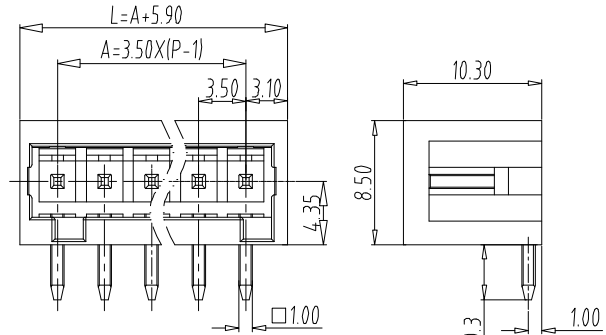


Multi Connection System — TLC series (Pin header) — TLCH-001R



PCB LAYOUT

图示 (Pic. shown) : TLCH-001R-04P-M17

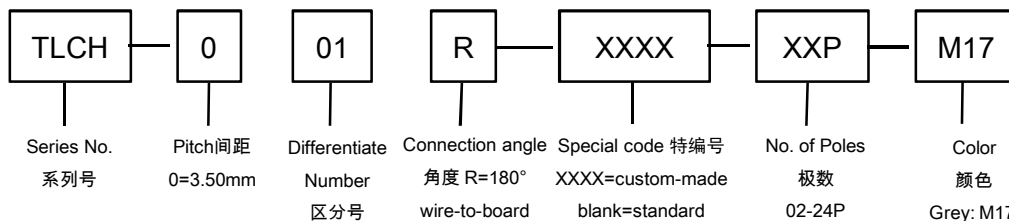
General. Multi Connection System Rated :160V,12A
Single row , 3.50mm pitch , 02-24 Pole
Orientation:180°(plug-in to board)

认证 (Approval) :



技术参数 Technical Data	UL standard			IEC standard		
UL应用组别(UL Application group)	UL Application group			IEC过电压别/污染等级(IEC overvoltage category /pollution degree)		
IEC过电压别/污染等级(IEC overvoltage category /pollution degree)	B	C	D	III / 3	III / 2	II / 2
额定电压(Rated voltage)	300V	--	300V	160V	160V	320V
额定电流(Rated current)	12A	--	10A	12A	12A	12A
额定连接容量(Rated connection capacity)	--			--		
绝缘材料(Insulation Material)	PA66 ; UL94-V0					
电流承载部件材料和镀层(Material & Plating of Current carrier)	Copper alloy , Tin plated					
接线弹片材料(Material of Clamp spring)	--					
绝缘电阻(Insulation Resistance)	500MΩ or more at DC500V					
耐电压(1分钟)(Withstanding Voltage/1Min)	AC2200V/Min					
额定冲击电压(Rated surge voltage)	2500V					
接线螺丝(Wire clamp unit Screw) , 最大扭矩(torque Max.)	--					
固定螺丝(Mounting Screw) , 扭矩(torque)	--					
剥线长度(Wire stripping length)	--					
使用温度(Operating temperature)	-40°C up to +115°C					
焊接方式(Soldering recommend)	Wave soldering ,260°C 5S Max (Single Wave) , 260°C 10S Max(Double Wave)					

订购方式(How to order)



Web:www.china-tianli.com TEL:+86-574-6347-9600,6389-6436 Mail : sale@china-tianli.cn
地址:中国浙江省宁波杭州湾新区庵东工业园区纬三路138号
ADD : 138 , Weisan Rd.,Andong Development Zone, Hangzhou Bay Area, Ningbo, Zhejiang, China

■ 插头 (Female Connector)



P/N : TLCP-001
Wiring orientation :
180°(wire to plug-in)
Rated : 160V,12A , 1.5mm²
Spring clamp unit.



P/N : TLCPL-001
Wiring orientation :
180°(wire to plug-in)
Rated : 160V,12A , 1.5mm²
Spring clamp unit.