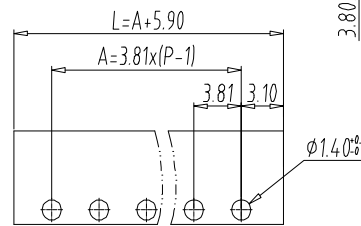
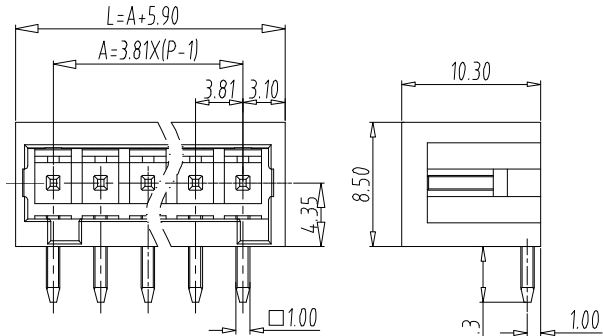


Multi Connection System — TLC series ( Pin header ) — TLCH-100R



PCB LAYOUT

■ 图示(Pic. shown) : TLCH-100R-04P-M17

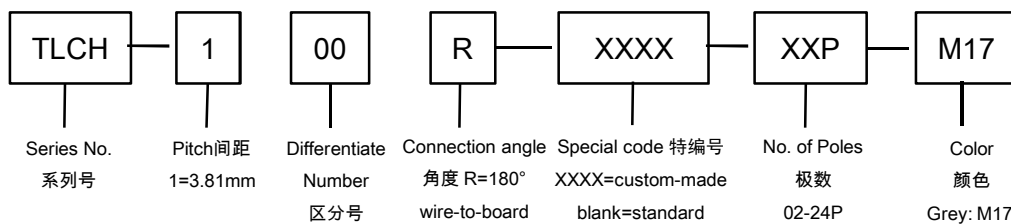
General.	Multi Connection System	Rated : 250V,12A
	Single row , 3.81mm pitch , 02-24 Pole	
	Orientation:180°(plug-in to board)	

认证 ( Approval ) :



技术参数 Technical Data	UL standard			IEC standard		
UL应用组别(UL Application group)	UL Application group			IEC过电压别/污染等级(IEC overvoltage category /pollution degree)		
IEC过电压别/污染等级(IEC overvoltage category /pollution degree)	B	C	D	III / 3	III / 2	II / 2
额定电压(Rated voltage)	300V	--	300V	/	250V	/
额定电流(Rated current)	12A	--	10A	/	12A	/
额定连接容量(Rated connection capacity)	--			--		
绝缘材料(Insulation Material)	PA66 ; UL94-V0					
电流承载部件材料和镀层( Material & Plating of Current carrier )	Copper alloy , Tin plated					
接线弹片材料(Material of Clamp spring )	--					
绝缘电阻(Insulation Resistance)	500MΩ or more at DC500V					
耐电压(1分钟)(Withstanding Voltage/1Min)	AC2200V/Min					
额定冲击电压(Rated surge voltage)	4000V					
接线螺丝(Wire clamp unit Screw) , 最大扭矩( torque Max. )	--					
固定螺丝(Mounting Screw) , 扭矩(torque)	--					
剥线长度(Wire stripping length)	--					
使用温度(Operating temperature)	-40°C up to +115°C					
焊接方式(Soldering recommend)	Wave soldering ,260°C 5S Max (Single Wave) , 260°C 10S Max(Double Wave)					

■ 订购方式(How to order)



Web:www.china-tianli.com      TEL:+86-574-6347-9600,6389-6436      Mail : sale@china-tianli.cn  
地址:中国浙江省宁波杭州湾新区庵东工业园区纬三路138号  
ADD : 138 , Weisan Rd.,Andong Development Zone, Hangzhou Bay Area, Ningbo, Zhejiang, China

插头 ( Female Connector )



P/N : TLCPL-100  
Wiring orientation :  
180°(wire to plug-in )  
Rated : 250V,12A , 1.5mm<sup>2</sup>  
Spring clamp unit.



P/N : TLCP-100  
Wiring orientation :  
180°(wire to plug-in )  
Rated : 250V,12A , 1.5mm<sup>2</sup>  
Spring clamp unit.