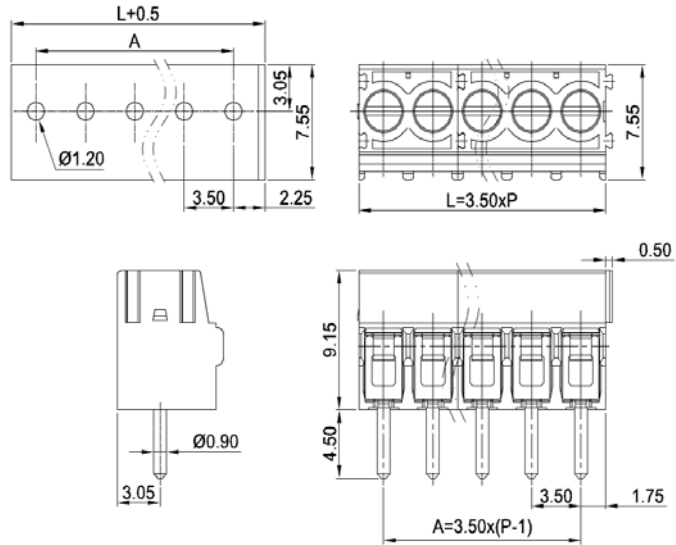
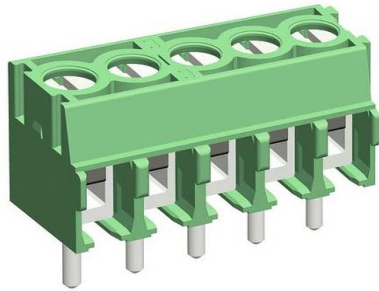


PCB terminal block — TL series (Wire Protector)— TL012V



图示 (Pic. shown) : TL012V-05P-G12S

General:	PCB terminal block Rated : 160V, 17.5A , 1.5mm ²
	Single row , 3.50mm pitch , 02-24 Pole
	Connection angle: 180°(wire to board)
	Screw clamp unit: M2 , 0.2N·m

认证 (Approval) :

技术参数 Technical Data	UL standard			IEC standard		
	UL Application group			IEC过电压别/污染等级(IEC overvoltage category /pollution degree)		
UL应用组别(UL Application group)						
IEC过电压别/污染等级(IEC overvoltage category /pollution degree)	B	C	D	III / 3	III / 2	II / 2
额定电压(Rated voltage)	300V	--	300V	160V	160V	320V
额定电流(Rated current)	10A	--	10A	17.5A	17.5A	17.5A
额定连接容量(Rated connection capacity)	26-16AWG Sol&Str			0.2-1.5mm ²		
绝缘材料(Insulation Material)				PA66 UL94 V-0		
电流承载部件材料和镀层(Material & Plating of Current carrier)				Copper alloy , Tin plated		
接线弹片材料(Material of Clamp spring)				Stainless Steel		
绝缘电阻(Insulation Resistance)				500MΩ or more at DC500V		
耐电压(1分钟)(Withstanding Voltage/1Min)				1600V		
额定冲击电压(Rated surge voltage)				2500V		
接线螺丝(Wire clamp unit Screw) , 最大扭矩(torque Max.)				M2 , 0.2N·m		
固定螺丝(Mounting Screw) , 扭矩(torque)				--		
剥线长度(Wire stripping length)				5 mm		
使用温度(Operating temperature)				-40°C up to +115°C		
焊接方式(Soldering recommend)	Wave soldering ,260°C 5S Max (Single Wave) , 260°C 10S Max(Double Wave)					

订购方式 (How to order)

