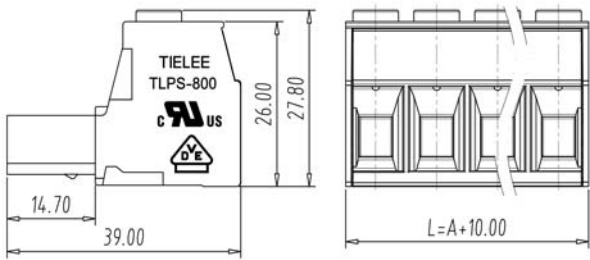
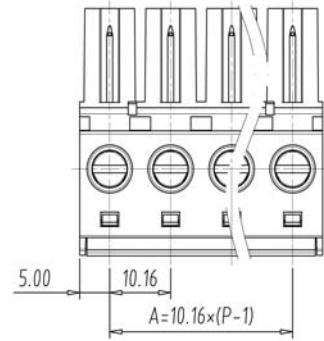
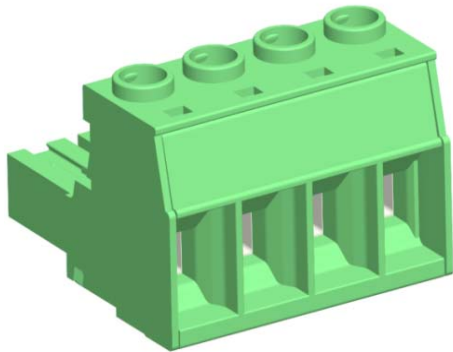





PCB Connector — TLP series ( Female Connector )— TLPS-800V



**■ 图示(Pic. shown) : TLPS-800V-04P-G12S**

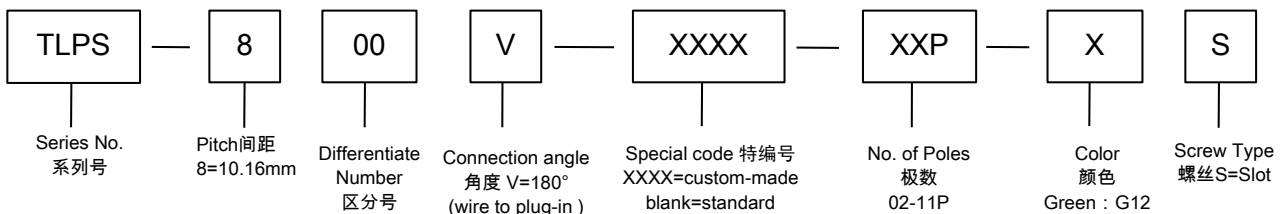
**General:**

- PCB Connector Rated : 1000V,76A 16mm<sup>2</sup>
- Single row , 10.16mm pitch , 02-11 Pole
- Orientation:180°(wire to plug-in )
- Screw clamp unit: M4, 1.8N·m

认证 ( Approval ) :   

■ 技术参数 Technical Data	UL standard			IEC standard		
	UL Application group			IEC过电压别/污染等级(IEC overvoltage category /pollution degree)		
UL应用组别(UL Application group)	B	C	D	III / 3	III / 2	II / 2
IEC过电压别/污染等级(IEC overvoltage category /pollution degree)				1000V	1000V	1000V
额定电压(Rated voltage)	600V	600V	600V	76A	76A	76A
额定电流(Rated current)	55A	55A	5A			
额定连接容量(Rated connection capacity)	20-6 AWG			0.5-16 mm <sup>2</sup>		
绝缘材料(Insulation Material)	PA66 UL94 V-0					
电流承载部件材料和镀层( Material & Plating of Current carrier )	Copper alloy , Ag plated					
接线弹片材料(Material of Clamp spring )	--					
绝缘电阻(Insulation Resistance)	500MΩ or more at DC500V					
耐电压(1分钟)(Withstanding Voltage/1Min)	2200V					
额定冲击电压(Rated surge voltage)	6000V					
接线螺丝(Wire clamp unit Screw) , 最大扭矩( torque Max. )	M4, 1.8N·m					
固定螺丝(Mounting Screw) , 扭矩(torque)	--					
剥线长度(Wire stripping length)	13~14 mm					
使用温度(Operating temperature)	-40°C up to +115°C					
焊接方式(Soldering recommend)	--					

■ 订购方式(How to order)

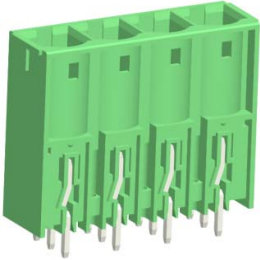


## ■ 编码片 Coding key

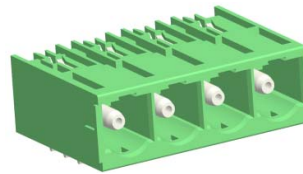


P/N:  
TLPCK-004-S

## ■ 针座 ( Pin header ) — single row

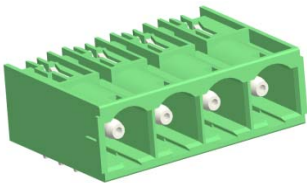


P/N : TLPHC-800V  
Orientation :  
90° ( plug-in to board )  
Rated:1000V,76A



P/N : TLPHC-800R  
Orientation :  
180° ( plug-in to board )  
Rated:1000V,76A

## ■ 针座 ( Pin header ) — single row



P/N : TLPHC-800RL  
Orientation :  
180° ( plug-in to board )  
Rated:1000V,76A