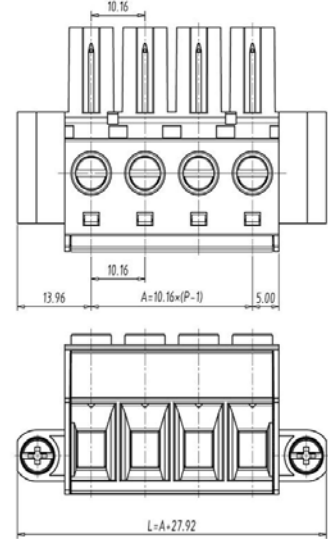
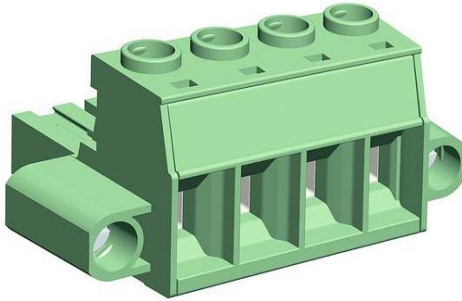


PCB Connector — TLP series (Female Connector)— TLPSW-800V

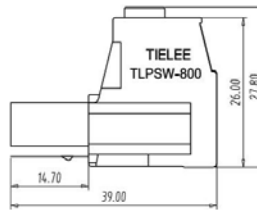
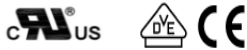


■ 图示(Pic. shown) : TLPSW-800V-04P-G12S

General.

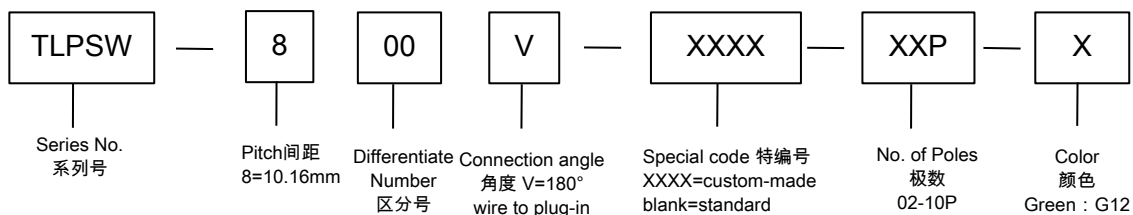
PCB Connector Rated : 1000V,76A
Single row , 10.16mm pitch , 02-10 Pole
Orientation:180°(wire to plug-in)
Screw clamp unit: M4, 1.8N·m

认证 (Approval) :



技术参数 Technical Data	UL standard			IEC standard		
UL应用组别(UL Application group)	UL Application group			IEC过电压别/污染等级(IEC overvoltage category /pollution degree)		
IEC过电压别/污染等级(IEC overvoltage category /pollution degree)	B	C	D	III / 3	III / 2	II / 2
额定电压(Rated voltage)	600V	600V	600V	1000V	1000V	1000V
额定电流(Rated current)	55A	55A	5A	76A	76A	76A
额定连接容量(Rated connection capacity)	--			--		
绝缘材料(Insulation Material)	PA66 UL94 V-0					
电流承载部件材料和镀层(Material & Plating of Current carrier)	Copper alloy , Ag plated					
接线弹片材料(Material of Clamp spring)	--					
绝缘电阻(Insulation Resistance)	500MΩ or more at DC500V					
耐电压(1分钟)(Withstanding Voltage/1Min)	2200V					
额定冲击电压(Rated surge voltage)	6000V					
接线螺丝(Wire clamp unit Screw) , 最大扭矩(torque Max.)	M4, 1.8N·m					
固定螺丝(Mounting Screw) , 扭矩(torque)	M3, 0.2 ~ 0.25N·m					
剥线长度(Wire stripping length)	13~14 mm					
使用温度(Operating temperature)	-40°C up to +115°C					
焊接方式(Soldering recommend)						

■ 订购方式(How to order)

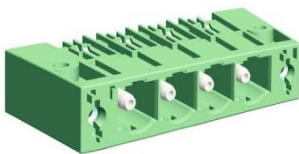


■ 编码片 Coding key



P/N:
TLPCK-004-S

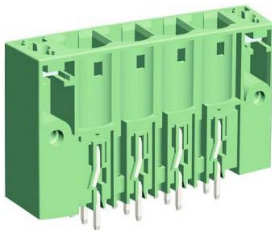
■ 针座 (Pin header) — single row



P/N : TLPHW-800R
Wiring orientation :
180° (plug-in to board)
Rated : 1000V,76A



P/N : TLPHW-800RL
Wiring orientation :
180° (plug-in to board)
Rated : 1000V,76A



P/N : TLPHW-800V
Wiring orientation :
90° (plug-in to board)
Rated : 1000V,76A