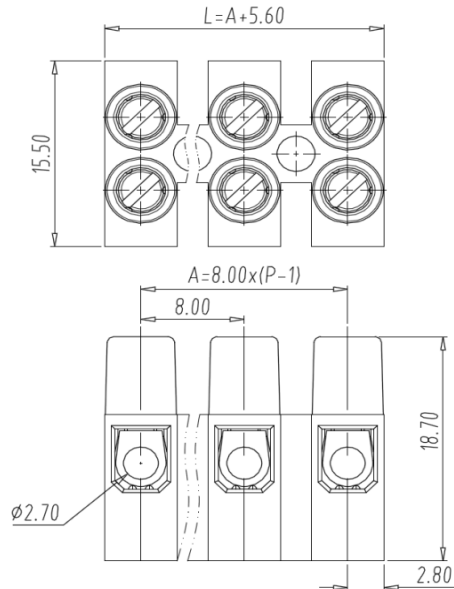


Terminal Strip — TLB series — TLB-100H



图示(Pic. shown) : TLB-100H-12P-TS

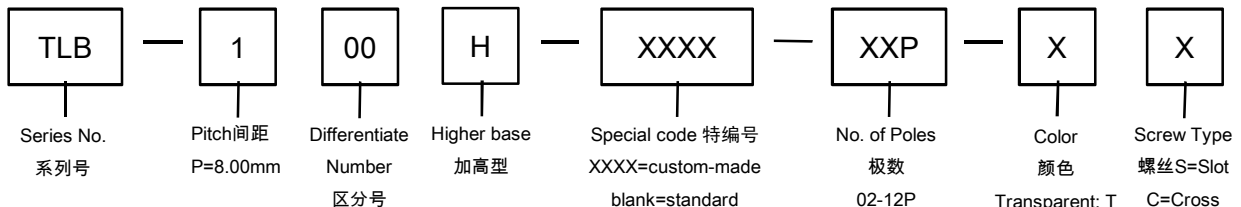
General: Terminal Strip Rated : 450V,32A , 4mm²
8.0mm pitch , 02-12 Pole
Wire-to-Wire Connection
Screw clamp unit: M2.5, 0.4Nm Max

认证 (Approval) :



■ 技术参数 Technical Data	UL standard			IEC standard		
	UL Application group			IEC过电压别/污染等级(IEC overvoltage category /pollution degree)		
UL应用组别(UL Application group)	B	C	D	III / 3	III / 2	II / 2
IEC过电压别/污染等级(IEC overvoltage category /pollution degree)						
额定电压(Rated voltage)	250V	150V	250V	--	450V	--
额定电流(Rated current)	20A	20A	10A	--	32A	--
额定连接容量(Rated connection capacity)	24~12AWG			1~4mm ²		
刚性导线横截面 (AWG) (Conductor cross section,solid)				24~12		
柔性导线横截面 (AWG) (Conductor cross section,stranded)				24~12		
刚性导线横截面 (mm2) (Conductor cross section,rigid)				1~4		
柔性导线横截面 (mm2) (Conductor cross section,flexible)				1~2.5		
绝缘材料(Insulation Material)				PA66 UL94 V-2		
绝缘材料组别(Material group)				I		
电流承载部件材料和镀层(Material & Plating of Current carrier)				Copper alloy , Ni plated		
接线弹片材料(Material of Clamp spring)				--		
耐电压(1分钟)(Withstanding Voltage/1Min)				1600V		
额定冲击电压(Rated surge voltage)				--		
接线螺丝(Wire clamp unit Screw) , 最大扭矩(torque Max.)				M2.5 , 0.4N.m Max		
固定螺丝(Mounting Screw) , 扭矩(torque)				--		
剥线长度(Wire stripping length)				5.0-5.5mm		
使用温度(Operating temperature)				-40°C up to +80°C(UL) /-40°C up to +100°C(IEC)		
存储温度(Storage temperature)				-40°C up to +70°C		
存储相对湿度(Storage relative humidity)				≤70%		
焊接方式(Soldering recommend)				--		

订购方式(How to order)



Web:www.tielee.com TEL:+86-574-6347-9600,6389-6436 Mail : sale@china-tianli.cn
地址:中国浙江省宁波杭州湾新区庵东工业园区纬三路138号
ADD : 138 , Weisan Rd.,Andong Development Zone, Hangzhou Bay Area, Ningbo, Zhejiang, China