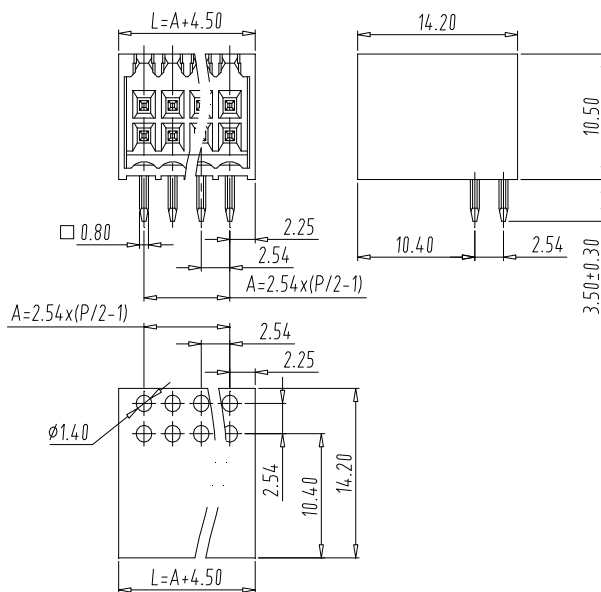
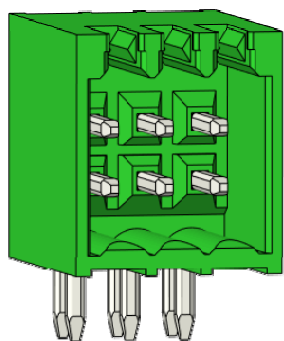


PCB Connector — TLP series (Pin header)— TLPHDC-020R



图示(Pic. shown) : TLPHDC-020R-06P(G28)

General.

PCB Connector Rated : 320V,6A

Single row , 2.54mm pitch , 04-48 Pole

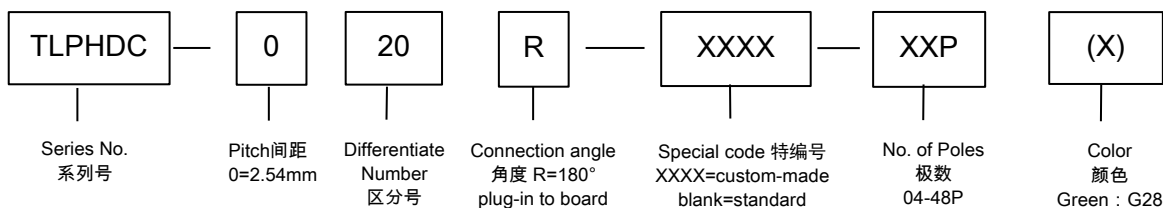
Orientation:180°(plug-in to board)

认证 (Approval) :



技术参数 Technical Data	UL standard			IEC standard		
	UL Application group			IEC过电压别/污染等级(IEC overvoltage category /pollution degree)		
UL应用组别(UL Application group)	B	C	D	III / 3	III / 2	II / 2
IEC过电压别/污染等级(IEC overvoltage category /pollution degree)						
额定电压(Rated voltage)	150V	--	--	--	--	320V
额定电流(Rated current)	5A	--	--	--	--	6A
额定连接容量(Rated connection capacity)	--			--		
绝缘材料(Insulation Material)	PA66 UL94 V-0					
绝缘材料组别(Material group)	I					
电流承载部件材料和镀层(Material & Plating of Current carrier)	Copper alloy , Tin plated					
接线弹片材料(Material of Clamp spring)	--					
耐电压(1分钟)(Withstanding Voltage/1Min)	1300V					
额定冲击电压(Rated surge voltage)	2500V					
接线螺丝(Wire clamp unit Screw) , 最大扭矩(torque Max.)	--					
固定螺丝(Mounting Screw) , 扭矩(torque)	--					
剥线长度(Wire stripping length)	--					
使用温度(Operating temperature)	-40°C up to +115°C					
存储温度(Storage temperature)	-40°C up to +70°C					
存储相对湿度(Storage relative humidity)	≤70%					
焊接方式(Soldering recommend)	Wave soldering ,260°C 5S					

订购方式(How to order)



■ 插头 (Female Connector) — single row



P/N : TLPSD-020
Wiring orientation :
180°(wire to plug-in)
Rated : 320V,6A , 0.5mm²
Spring clamp unit.